

MPT-Mounting angles 90°

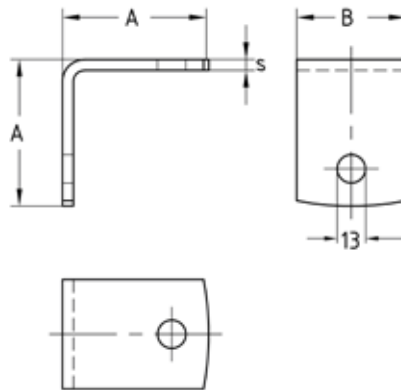
hot-dip galvanised

Application

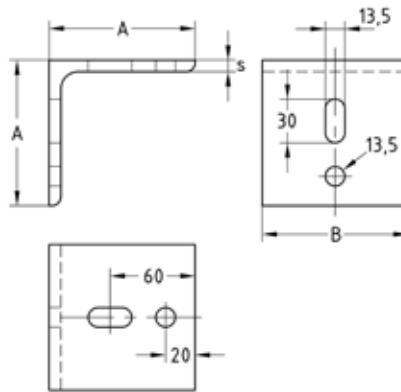
- Approved mounting angles in versions 90° and 90° light-duty model respectively, for corner and angle connections as well as for bracing in combination with MPT-Support profiles Q50, Q80, Q100 and Q150

Your advantages

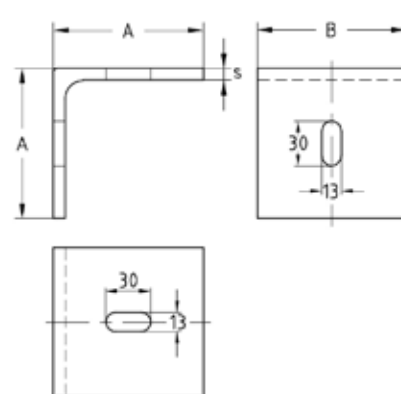
- Stable and good value connecting element for connecting MPT-Support profiles



90°, light version, for profile Q50



90°, for profiles Q50, Q100, Q150



90°, for profile Q80

Design	For profiles	Thickness s [mm]	Dimensions [mm]		Weight [kg]	Part no.	Sales unit	Pack unit
			A	B				
2 holes, light version	Q50-2.5	6	67	50	0.239	141460	1	Pieces
4 holes	Q50-2.5, Q100-2.5, Q100-3.5, Q150-2.5	8	100	100	1.1	175963		
2 holes	Q80-2.0		80	80	0.78	167322		