

### MPT-Saddle supports for installation of support profiles

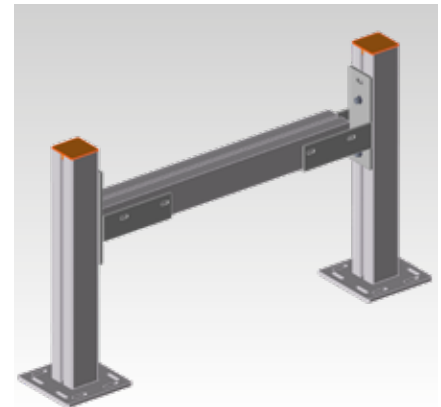
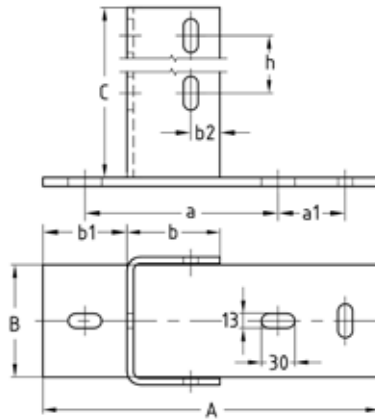
hot-dip galvanised

#### Application

- Stable saddle supports for the connection of MPT-Support profiles in case of 90°-corner connections

#### Your advantages

- For fast and efficient mounting of cross-beams of MPT-Support profiles



For profiles	Dimensions [mm]									Weight [kg]	Part no.	Sales unit	Pack unit
	a	a1	b	b1	b2	h	A	B	C				
Q50-2.5	172.5	60	57	75	20	150	300	100	250	4.262	151335	1	Pieces
Q80-2.0	152.5		73		26		280	80		3.916	167935		
Q100-2.5, Q100-3.5, Q150-2.5	172.5		83				300	100		4.964	151336		