

MPT-Girder cleats

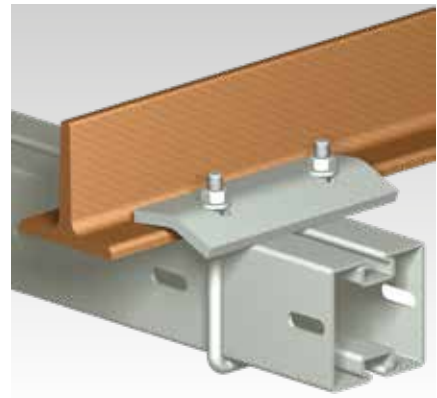
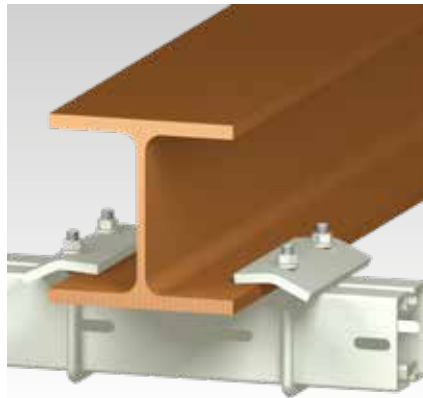
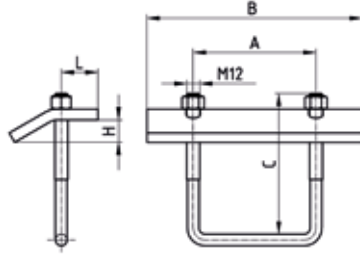
hot-dip galvanised

Application

- Attachment of MPT-Support channels to steel girders without drilling or welding

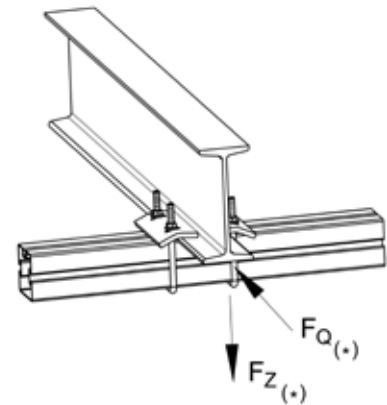
Your advantages

- Suitable for steel beams with flange thicknesses up to 25 mm
- Easy to install, pre-assembled kit



Features

For profiles	Max. recommended tensile load F_z [N]	Max. recommended load lateral F_Q [N]	Tightening torque [Nm]
Q50-2.5	12,000	4,500	33
Q80-2.0			
Q100-2.5, Q100-3.5			
Q150-2.5			



(* Max. load capacities F_z and F_Q apply for attachments with 2 MPT-Girder cleats

For profiles	Thread	Dimensions [mm]					Weight [kg]	Part no.	Sales unit	Pack unit
		A	B	C	H	L				
Q50-2.5	M12	114	200	130	17.4	28.6	1.37	151343	1	Pieces
Q80-2.0		94	160	150		34.8	1.349	167937		
Q100-2.5, Q100-3.5		114	200	180		28.6	1.71	151344		
Q100-2.5			230	20.75	34.8	1.697	176743			