

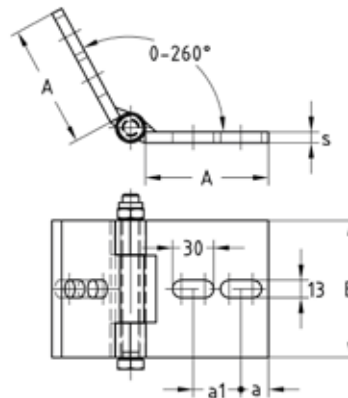
MPT-VARIO joints

Application

- Reinforced joint angles for corner and angle connections as well as for bracing in combination with MPT-Support profiles Q50, Q80, Q100 and Q150
- Additional connection options due to fourfold perforation

Your advantages

- Flexible connecting element for connecting MPT-Support profiles with any connection angles
- Any tolerances that may occur can be compensated due to oblong holes in mounting angles



Features

Design	Max. recommended load [N]
	5,000
	7,500
	10,000

Design	For profiles	Thickness s [mm]	Dimensions [mm]				Weight [kg]	Part no.	Sales unit	Pack unit
			a	a1	A	B				
hot-dip galvanised	Q50-2.5, Q100-2.5, Q100-3.5, Q150-2.5	8	20	35	90	100	1.39	166944	1	Pieces
galvanised	Q80-2.0		22	38		80	1.095	167939		