

Clamping claws

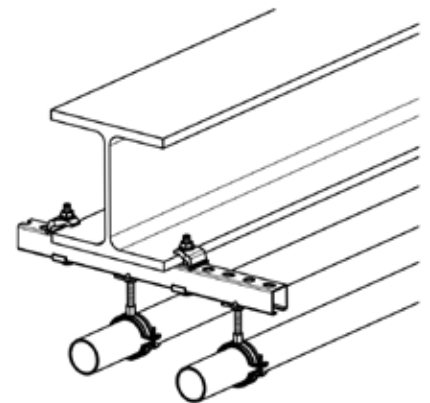
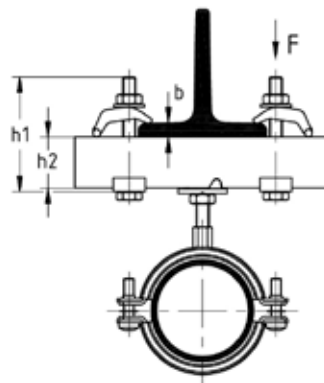
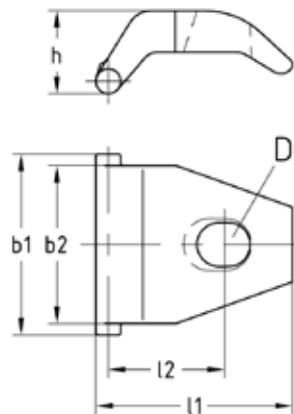
galvanised

Application

- Attachment of MPC- and MPR-Support channels to profile steel structures without drilling or welding

Your advantages


- Large clamping range for universal and quick attachment to profile steel structures
- Safe fastening without drilling or welding
- Suitable for attaching square pipes



Features

Size	Max. recommended load per piece [N]
M10	14,000
M12	15,000
M16	18,000

Size	Max. clamping range b	Screw length h1	Dimensions [mm]						Part no.	Sales unit	Pack unit
			b1	b2	D	h	l1	l2			
M10	1-25 mm	b + h2 + 33 mm	43	38	11	19	47	28	157219	100	Pieces
M12	1-35 mm	b + h2 + 40 mm	51		13	27	66	37	157220	50	
M16		b + h2 + 43 mm	63	46	17	29	65		157221		

 Installation of the clamping claw with the wide side facing the support channel.

Base plates with combination nut

galvanised

Size	Thread	Oblong hole V	Hole-centre distance C [mm]	Dimensions [mm]			Part no.	Sales unit	Pack unit
				L	b	s			
1	M8/M10	9 x 16 mm	54	80	30	3	112397	50	Pieces

