

Joint brackets

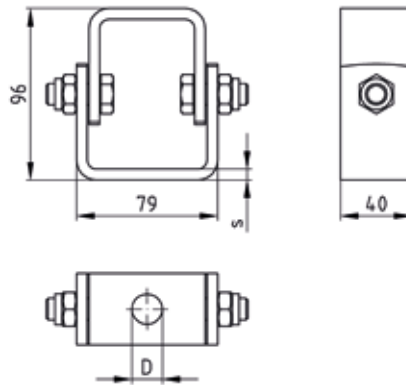
stainless steel

Application

- Joint bracket for suspensions and anchorings, e.g. for fixed points or fastenings of bridge drainage systems

Your advantages

- Large swivel range for a wide variety of installation situations
- Additional materials / surfaces available upon request



Features

Size	Tensile load at swivel angle 0° [N]	Tensile load at swivel angle 45° [N]	Maximum recommended swivel angle
40 x 6 LG 13	8,000	5,000	90°
40 x 6 LG 17			

Size	For thread	Diameter D [mm]	Thickness s [mm]	Material	Part no.	Sales unit	Pack unit
40 x 6 LG 13	M12	13	6	V4A	139140	1	Pieces
40 x 6 LG 17	M16	17			130702		

Order-related manufacturing, price, and delivery time available upon request.

