

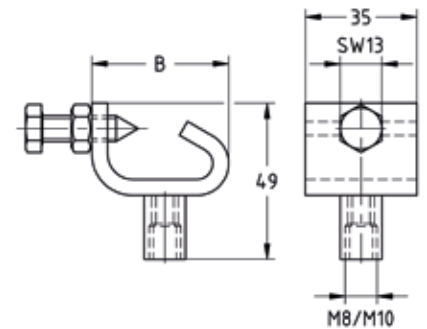
HP-Clamps galvanised

Application

- For simple fastening to bulb profiles of the ship's structure without welding

Your advantages

- Using just a single screw connection with little time required for fixing in comparison to the conventional fastenings
- Direct, flexible fastening at any desired position on the bulb profile
- Subsequent fixing also possible after conclusion of the „hot work“
- Slip-resistant fastening to the bulb profile by means of a clamping screw with a lock nut
- Light-weight construction to meet the ever increasing demands in terms of weight reduction
- High load-bearing capacity of up to 4.5 kN



Features



| | |
|------------------------------|---------------------------|
| Max. recommended load [N] | Tightening torque [Nm] |
| 4,500 | 15 |

| For profiles | Connecting thread | Dimensions B [mm] | Part no. | Sales unit | Pack unit |
|--------------|-------------------|----------------------|----------|------------|-----------|
| HP 80-120 | M8/M10 | 43 | 159648 | 50 | Pieces |
| HP 140-160 | | 52.5 | 159649 | | |