

Slide guides 2.3 kN galvanised

Application

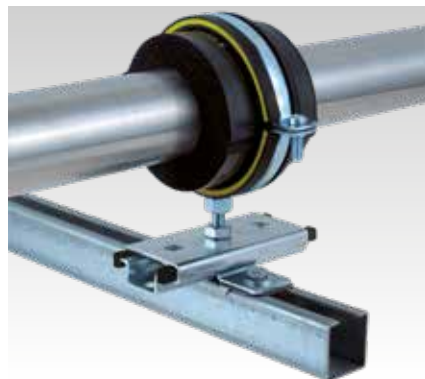
- Attachment of pipes with thermal, axial expansion
- A variety of installation possibilities (floor-mount, ceiling-mount, wall-mount)
- Suitable for pipes mounted from above and from below
- Expansion assembly attachment as cross connection for pipe movement in axial and lateral directions

Your advantages

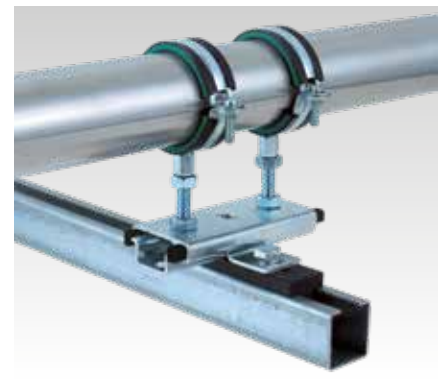
- Flat, compact design for secure mounting in cramped mounting situations
- Large slide travel of up to 76 mm
- High-level application flexibility due to triple connection facilities for pipe clamps
- One or two pipe clamps can be mounted depending on the application
- Fire-proof design for application in escape routes and emergency routes



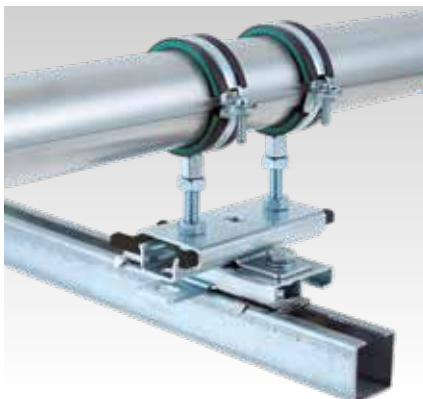
Ceiling installation with steel anchors M8



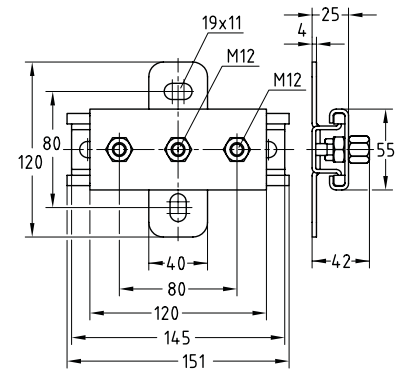
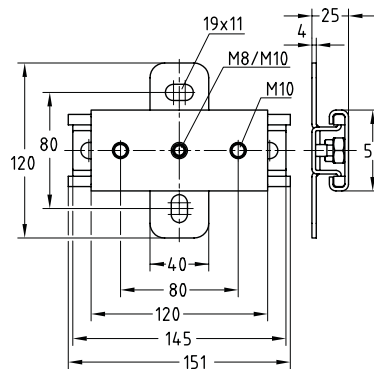
Upright installation of an insulation clamp on a MPC-Support channel



Upright installation of a sliding shoe and a slide guide, on a MPC-Support channel



Upright installation of two slide guides in crisscross arrangement, on a MPC-Support channel




Features



Max. recommended load [N]	2,300
Temperature range	-40 °C to +100 °C

Connecting thread	Max. slide travel [mm]	Part no.	Sales unit	Pack unit
M8/M10	76	130662	25	Pieces
M12		139199		

 When attaching two slide guides in crisscross arrangement, the use of an allen bolt with washer, part no. 121079, is recommended.