

Pipe slides type DHV-2

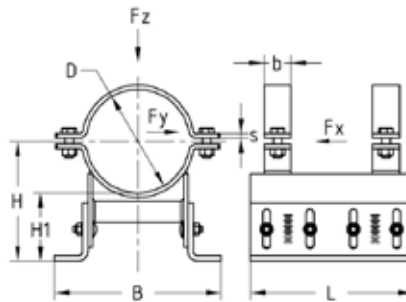
with two pipe clamps, DIN 3567

Application


- Attachment of pipelines in heavy-duty building technology, industrial construction and plant engineering
- For fastening piping with slope or consistent centre line
- Version as pipe slide for large nominal sizes from DN 200

Your advantages

- Individual adjustment of the distance between the pipe clamp and sub-construction on the building site
- Compensation for height tolerances and unevenness in the subconstruction
- Slope adjustment axial direction up to 5°
- Hot-dip galvanised, suitable for outdoor use



Type	Adjustment range [mm]	Nominal size DN [mm]	Pipe outer Ø D [mm]	Dimensions [mm]						Loading			Weight [kg]	Part no.	Sales unit	Pack unit					
				b	s	B	H	H1	L	Fx [kN]	Fy [kN]	Fz [kN]									
DHV-2-100 W37-OF-SF 219.1	100 - 150	200	219.1	50	8	322	210 - 260	100 - 150	300	19.4	27.7	50	19.06	169703	1	Pieces					
DHV-2-100 W37-OF-SF 267.0		250	267	60	341	234 - 284	17.8			25.4	22.08	170464									
DHV-2-100 W37-OF-SF 273.0			273		346	237 - 287	17.6			25.1	22.24	169704									
DHV-2-100 W37-OF-SF 323.9		300	323.9		366	262 - 312	16.1			23.1	23.55	169705									
DHV-2-100 W37-OF-SF 356.0		350	356		376	278 - 328	15.3			21.9	24.4	170468									
DHV-2-100 W37-OF-SF 368.0			368		382	284 - 334	15.1			21.5	24.71	169706									
DHV-2-100 W37-OF-SF 406.4		400	406.4	70	10	404	304 - 354			14.3	20.4	33.24	169707								
DHV-2-100 W37-OF-SF 508.0		500	508		437	354 - 404	12.5			17.8	36.94	169708									
DHV-2-100 W37-OF-SF 610.0		600	610		462	405 - 455	11.1			15.8	40.58	169709									
DHV-2-150 W37-OF-SF 219.1		150 - 200	200	219.1	50	8	322			260 - 310	150 - 200		16.3	23.2				20.95	169710		
DHV-2-150 W37-OF-SF 273.0	250		273	60	346	287 - 337	15	21.4	24.12	169711											
DHV-2-150 W37-OF-SF 323.9	300		323.9		366	312 - 362	13.9	19.9	25.34	169712											
DHV-2-150 W37-OF-SF 368.0	350		368		382	334 - 384	13.1	18.7	26.6	169713											
DHV-2-150 W37-OF-SF 406.4	400		406.4	70	10	404	354 - 404	12.5	17.8	35.6			169714								
DHV-2-150 W37-OF-SF 508.0	500		508		437	404 - 454	11.1	15.8	39.3	169715											
DHV-2-150 W37-OF-SF 610.0	600		610		462	455 - 505	10	14.2	42.94	169716											
DHV-2-200 W37-OF-SF 219.1	200 - 250		200	219.1	50	8	322	310 - 360	200 - 250				14	20		22.83	169717				
DHV-2-200 W37-OF-SF 273.0			250	273	60	346	337 - 387						18.6	26.01	169718						
DHV-2-200 W37-OF-SF 323.9			300	323.9		366	362 - 412						17.5	27.31	169719						
DHV-2-200 W37-OF-SF 368.0		350	368		382	384 - 434		16.6			28.48	169720									
DHV-2-200 W37-OF-SF 406.4		400	406.4	70	10	404	404 - 454				15.9	37.95	169721								
DHV-2-200 W37-OF-SF 508.0		500	508		437	454 - 504		14.3			41.65	169722									
DHV-2-200 W37-OF-SF 610.0		600	610		462	505 - 555		13			45.29	169723									

 For fixing the height adjustment a tightening torque of 75 Nm for the carriage bolts need to be considered.