

### U-bolts, DIN 3570

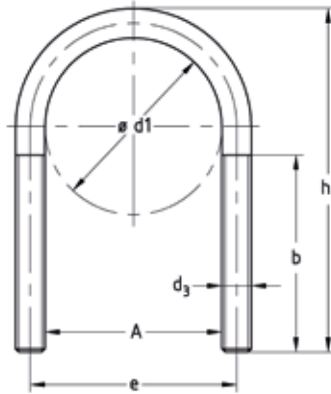
form A

#### Application

- Simple and efficient attachment of pipes to steel supporting structures, e.g. pipe bridges

#### Your advantages

- Various material and surface finishes available



#### Features

Material	Code for material	Surface	Code for surface
S235JR (St37)	W37	untreated	OR
V2A stainless steel	WA2	hot-dip galvanised	OF
V4A stainless steel	WA4	galvanic galvanised	OV

Pipe outer Ø D [mm]	Nominal size DN	Dimensions [mm]					Design W37-OR	Design W37-OF	Design W37-OV	Design WA2	Design WA4	Sales unit	Pack unit	
		A	b	D3	E	H	Part no.	Part no.	Part no.	Part no.	Part no.			
20 - 22	15	23	30	M10	33	60	124789	124786	131880	124709	124712	1	Pieces	
25 - 27	20	30	40		40	70	124801	124798	124804	124724	124727			
30 - 34	25	38	50		48	76	124822	124819	124825	124736	124739			
38 - 43	32	46			56	86	124847	124844	124851	124748	124751			
45 - 49	40	52			62	92	124866	124863	124869	124770	124773			
57 - 61	50	64			76	109	124956	124953	124959	124896	124899			
77	65	82	M12	94	125	124973	124970	124976	124908	124911				
89	80	94		106	138	124982	124979	124985	124914	124917				
108 - 115	100	120		M16	136	171	125039	125036	125042	124988	124991			
133 - 140	125	148	164		191	125058	125055	125061	125000	125003				
159 - 169	150	176	192		217	125076	125073	125079	125012	125015				
191 - 194	175	202	218		249	125094	125091	125097	125024	125027				
216 - 220	200	228	70		M20	248	283	113135	113132	113138	125112			125115
267 - 273	250	282				302	334	113162	113159	113165	113114			113117
318 - 324	300	332		352		385	113141	113225	113144	113126	113129			
356 - 368	350	378		M24	402	435	113240	113237	113243	113189	113192			
407 - 419	400	428			452	487	113261	113258	113264	113201	113204			
508 - 521	500	530			554	589	113282	113279	113285	113213	113216			

**i** U-bolts are supplied excluding nuts and washers. Order separately if required (see „Accessories“).