

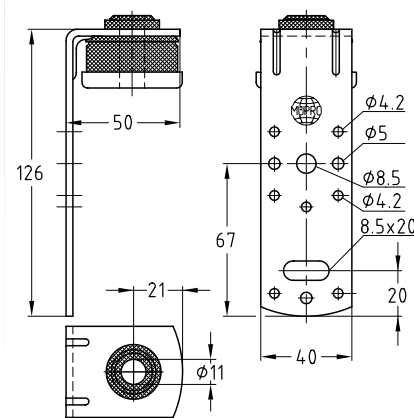
Duct fixing angles with insulator, hot-dip galvanised

Application

- Easy to install suspension for air ducts

Your advantages

- Incorporated highly-elastic vibration-isolating element
- Excellent alignment and height adjustment via the threaded rods
- Design as angle and twin angle
- Various attachment options to air duct with rivets, self-drilling screws or bolts up to M8 in the oblong hole
- Direct attachment to air duct possible
- Average vibration reduction of 17 dB(A)



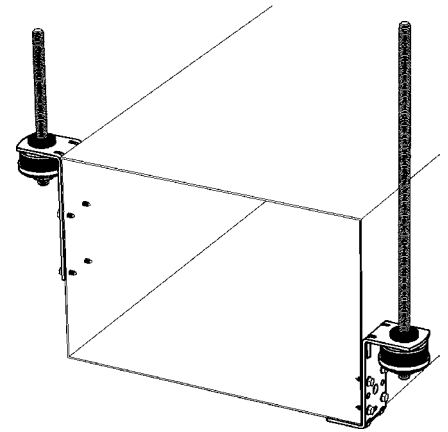
Duct fixing angles Type II



Features



Max. recommended load [N]	800
Average vibration reduction [dB(A)]	17



Design	Type	Part no.	Sales unit	Pack unit
Duct fixing angles with insulating part	Type II	116642	25	Pieces

Duct fixing angle is also available in other lengths.

