

HBS-holder

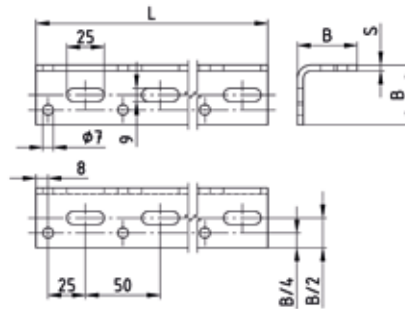
type HBSL

Application

- Perforated bulb profile for mounting pipes and ventilation channels

Your advantages

- Simple connection of industrial pipe clamps guaranteed with a 9 x 25 mm oblong hole
- 7 mm hole for fixing ventilation pipes and channels with sheet-metal screws
- Bending stiffness through favourable profile cross-section
- Available with various different surface coatings



Design	Type	Dimensions [mm]			Part no.	Sales unit	Pack unit
		B	L	S			
primered	HBSL30	30	3,000	3	114635	1	Pieces
	HBSL40	50		4			
hot-dip galvanised					114647		



These products are manufactured to order. Minimum quantities and delivery time on request.

