

# HBS-holder

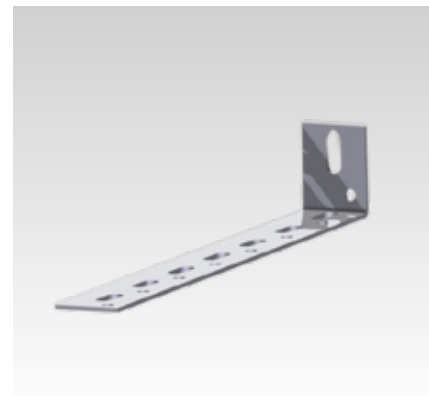
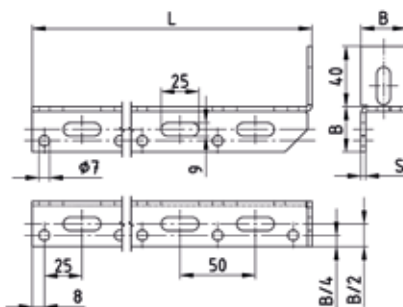
Typ HBSLW

### Application


- Perforated, angled bulb profile for mounting pipes and ventilation channels

### Your advantages

- Simple connection of industrial pipe clamps guaranteed with a 9 x 25 mm oblong hole
- 7 mm hole for fixing ventilation pipes and channels with sheet-metal screws
- Its beveled form enables easy mounting on a system substructure running under deck
- Bending stiffness through favourable profile cross-section
- Available with various different surface coatings



Design	Type	Dimensions [mm]			Part no.	Sales unit	Pack unit
		B	L	S			
galvanic galvanised	HBSLW30400	30	410	3	114656	1	Pieces

 These products are manufactured to order. Minimum quantities and delivery time on request.